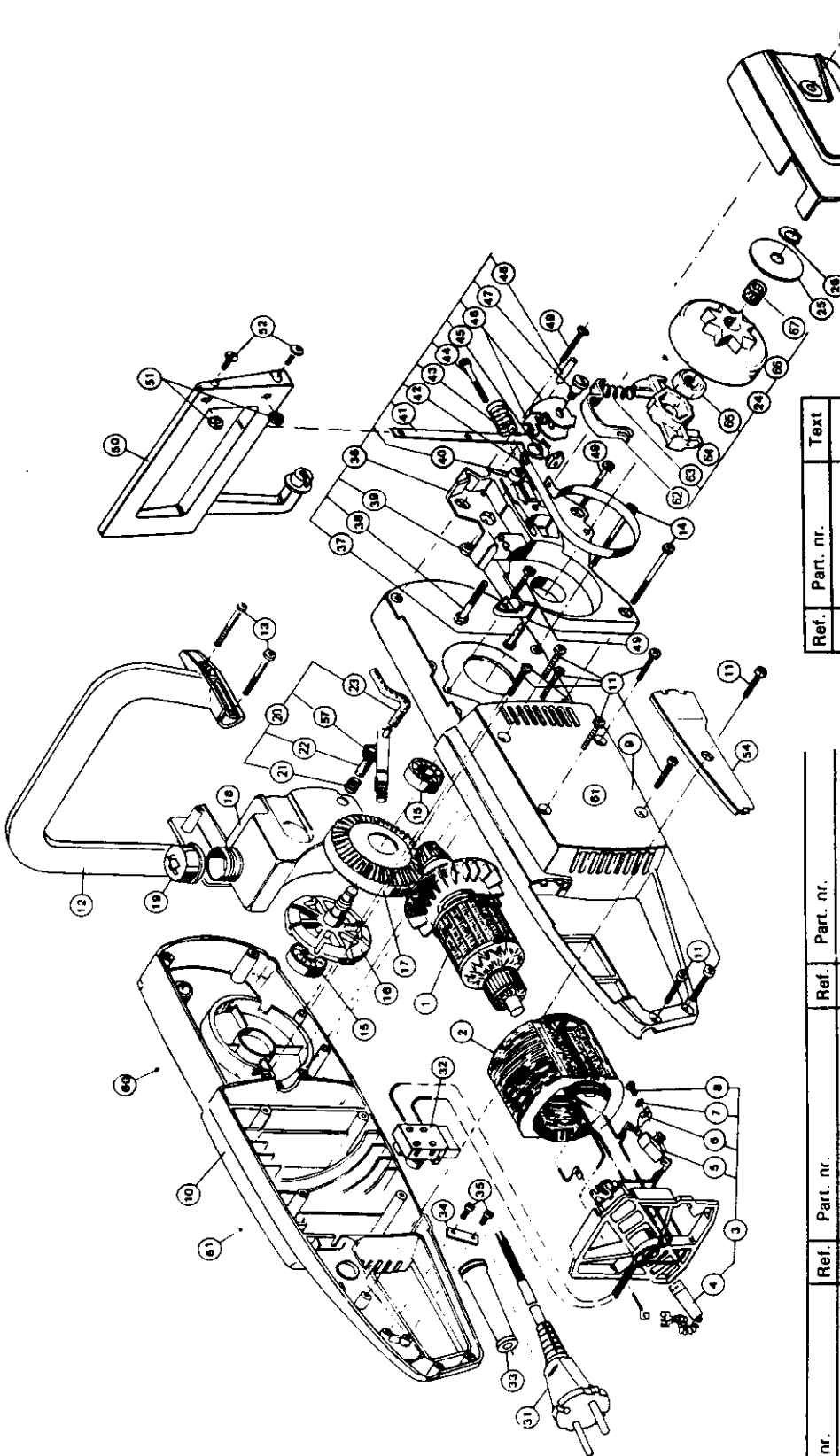


1
1990

12

PARTNER 1400 EL

107 25 02-61



| Ref. | Part. nr. | Text |
|------|--------------|------|
| 51 | 731 23 14-01 | NK |
| 52 | 724 13 27-01 | DK |
| 54 | 508 03 99-02 | SF |
| 55 | 508 03 90-01 | D |
| 56 | 508 03 97-01 | UK |
| 57 | 508 03 24-01 | J |
| 60 | 508 03 85-01 | E |
| | 508 03 85-03 | F |
| | 508 03 85-04 | |
| | 508 03 85-12 | |
| | 508 03 85-06 | |
| | 508 03 85-07 | |
| | 508 03 85-08 | |
| | 508 03 85-09 | |
| 61 | 508 03 87-01 | |
| 62 | 508 03 29-01 | |
| 63 | 508 03 30-01 | |
| 64 | 508 03 28-01 | |
| 65 | 508 03 31-01 | |
| 66 | 508 03 32-04 | |
| 67 | 508 03 32-02 | |

| Ref. | Part. nr. | Ref. | Part. nr. | Ref. | Part. nr. | Text |
|------|---------------------|------|---|------|---------------------|------|
| 1 | 508 03 02-01 220 V | 18 | 508 03 18-01 | 34 | 508 03 43-01 | |
| 2 | 508 03 02-02 240 V | 19 | 508 03 19-01 | 35 | 508 03 44-01 | |
| 3 | 508 03 02-10 220 V | 20 | 508 03 20-01 compl. | 36 | 508 03 45-01 compl. | |
| 4 | 508 03 04-01 compl. | 21 | 508 03 23-01 | 37 | 508 03 47-01 | |
| 5 | 400 08 48-01 | 22 | 508 03 22-01 | 38 | 508 03 48-01 | |
| 6 | 508 03 70-01 | 23 | 508 03 22-02 | 39 | 508 03 56-01 | |
| 7 | 508 03 77-01 | 24 | 508 03 27-02 compl. | 40 | 508 03 54-01 | |
| 8 | 735 21 36-51 | 25 | 508 03 33-01 | 41 | 508 03 53-01 | |
| | 729 53 40-01 | 26 | 735 31 11-00 | 42 | 508 03 49-01 | |
| 9 | 508 03 07-02 | 27 | 508 03 34-02 | 43 | 508 03 50-01 | |
| 10 | 508 03 06-02 | 28 | 731 23 16-55 | 44 | 723 13 39-75 | |
| 11 | 508 03 09-01 | 31 | 508 03 38-02 N,S,DK,SF, D,B,NL,F, A,I,E,P | 45 | 508 03 37-01 | |
| 12 | 508 03 10-01 | | | 46 | 508 03 51-01 | |
| 13 | 508 03 11-01 | | | 47 | 508 03 55-01 | |
| 14 | 508 03 12-01 | | | 48 | 721 42 54-50 | |
| 15 | 738 21 01-02 | | | 49 | 508 03 11-01 | |
| 16 | 508 03 13-02 | | | 50 | 508 03 57-01 | |
| 17 | 508 03 17-01 | 32 | 508 03 41-01 | | | |
| | | 33 | 508 03 42-01 | | | |